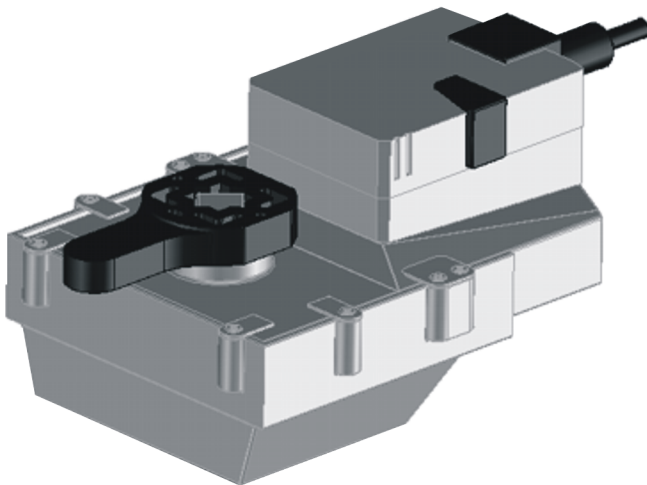


M6422L1003

ROTARY ACTUATOR FOR BUTTERFLY VALVE V5421B1090

PRODUCT DATA



FEATURES

- Orientation of actuator to V5421B1090 Butterfly Valve can be re-adjusted in steps of 90°
- Protected against overloading
- Requires no limit switches (actuator stops automatically at limit)

SPECIFICATIONS

Nominal voltage 100 ... 240 Vac, 50/60 Hz
 Operating range 85 ... 265 V

Power consumption
 At nominal torque of 40 Nm 4 W / 7 VA
 At rest 2 W

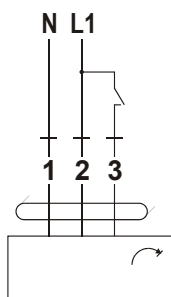
Parallel operation possible (note power consumption data)
 Torque (nominal) min. 40 Nm (at nominal voltage)
 Manual adjustment pushbutton gear declutch (temporary/permanent)
 Run time 150 s / 90° angle
 Noise level max. 45 dB (A)
 Position indication mechanical, attachable
 Protection Class II
 Protection Standard IP54 (regardless of orientation)

EMC
 Low-Voltage Directive CE as per EEC/89/336
 Action CE as per EEC/73/23
 Rated surge voltage type 1 (as per EN 60730-1)
 Pollution degree 4 kV (as per EN 60730-1)
 Ambient temperature 3 (as per EN 60730-1)
 Temperature of medium 0 ... +50 °C
 Storage temperature 0 ... 90 °C in valve
 Ambient humidity -40 ... +80 °C
 Weight 95% r.H., non-condensing
 Dimensions approx. 1.85 kg
 Accessories see "Dimensions," pg. 2
 auxiliary switch
 reverse potentiometer

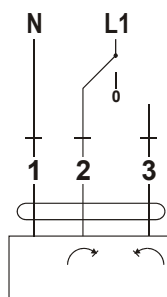
GENERAL

The M6422L1003 Rotary Actuator is a maintenance-free device designed for use in combination with only the V5421B1090 Butterfly Valve. It is suitable for applications in stationary heating, air conditioning, and ventilation systems. It is not intended for other applications, especially not in aircraft.

ON/OFF CONTROL



3-POINT CONTROL



ROTARY DRIVE	ROTARY VALVE
A - AB = 0%	

Fig. 1. Wiring

DIMENSIONS

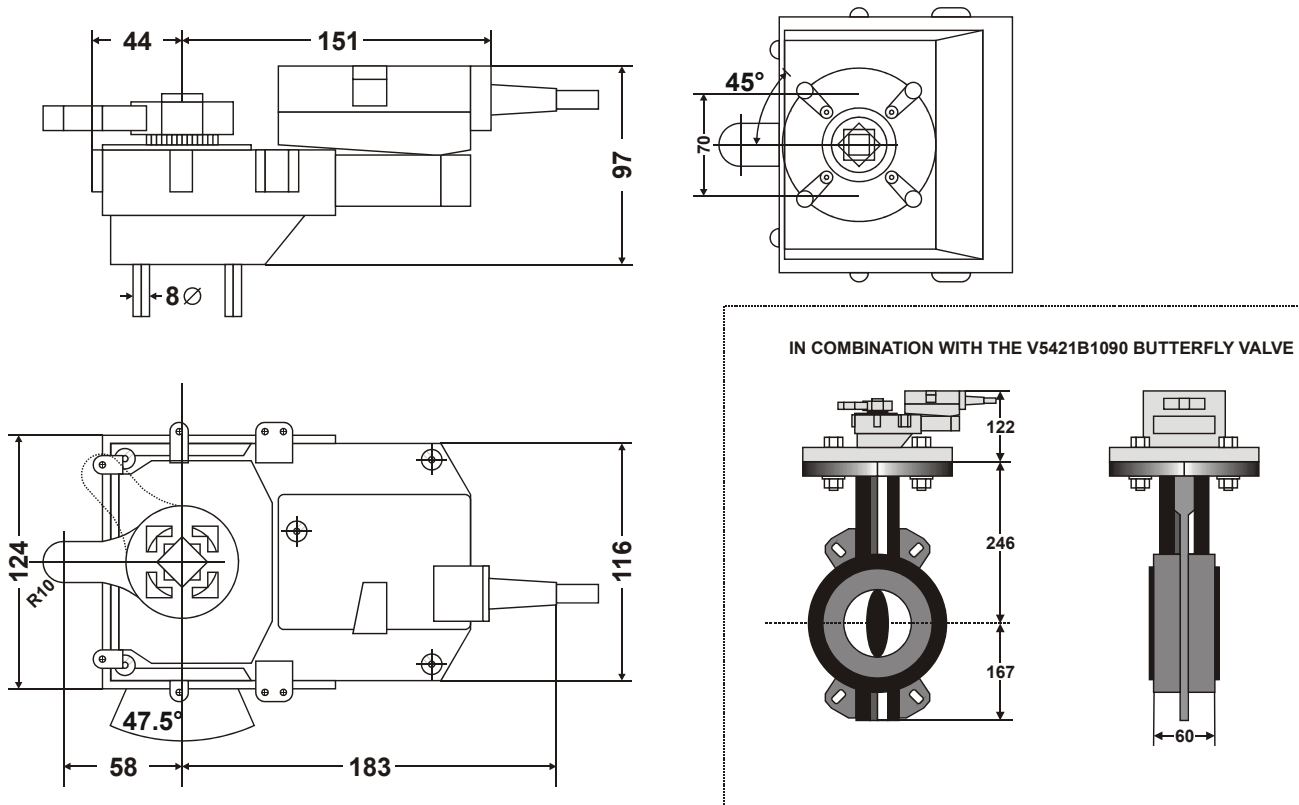


Fig. 2. Dimensions of M6422L1003 (in mm)

Honeywell

Manufactured for and on behalf of the Environmental and Combustion Controls Division of Honeywell Technologies Sàrl, Ecublens, Route du Bois 37, Switzerland by its Authorized Representative:

Automation and Control Solutions

Honeywell GmbH
 Böblinger Straße 17
 D-71101 Schönaich
 Phone: (49) 7031 63701
 Fax: (49) 7031 637493
<http://ecc.emea.honeywell.com>

Subject to change without notice. Printed in Germany

EN0B-0626GE51 R0208